

Direct acting pressure regulator

# Norval



Norval pressure regulators are direct acting devices for low and medium pressure applications, controlled by a diaphragm and a counter spring.

Scan this QR code with your mobile to get more info!



## MAIN FEATURES:

- **Low to Medium Pressure Outlet**
- **Direct Spring Operated**
- **Normally “Fail Open”**
- **Sizes: 2”, 3”, 4”, 6”, 8”**
- **Body Materials: Ductile Iron**
- **Ratings: ANSI 150**
- **Connections: RF**
- **Maximum Inlet Pressure:**  
**232 PSIG for sizes 1” to 3”**  
**116 PSIG for 4” to 8”**
- **Minimum Pressure Drop 1 PSIG**
- **Outlet Pressure: 3” w.c. to 65 PSIG** (depending on head size)
- **500 to 1 Turndown**
- **Flow Coefficient (Nat. gas): Cg range 331 to 16,630**
- **Pilot operated accuracy without the pilot**

## OPTIONS:

- **IN – Integral Slam-Shut valve**
- **Inline Monitor construction available**

**DESIGNED  
WITH YOUR  
NEEDS IN MIND**

- **COMPACT DESIGN**
- **HIGH TURN-DOWN RATIO**
- **EASY MAINTENANCE**
- **HIGH ACCURACY**
- **TOP ENTRY**
- **LOW OPERATION COSTS**
- **FAST RESPONSE TIME**
- **WIDE RANGE OF APPLICATIONS**

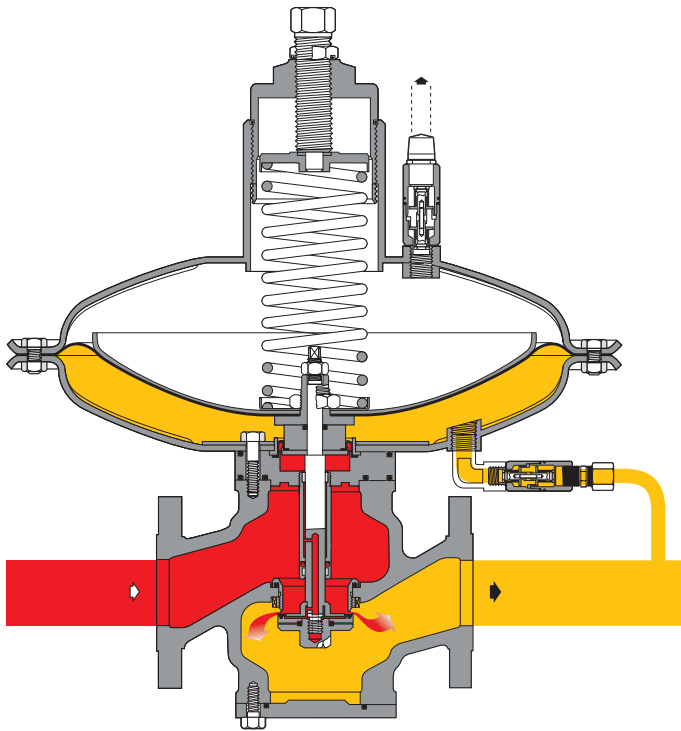


Florentini USA  
4555 South Berkeley Lake Road  
Norcross, GA 30071  
Toll - Free: 888.618.8787  
Fax: 770.448.7312  
[www.fioussa.com](http://www.fioussa.com)

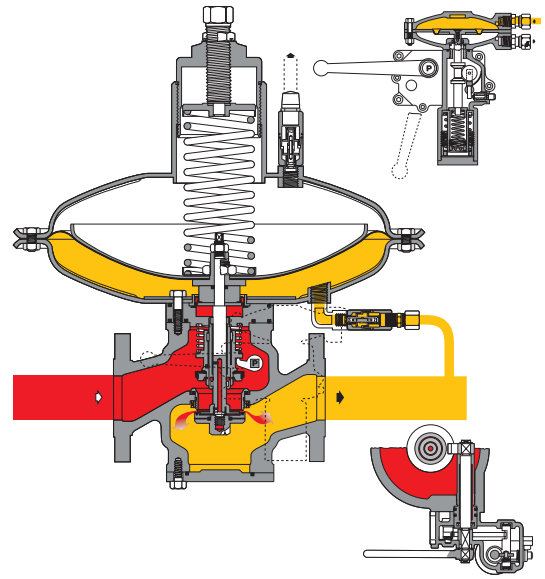
Pietro Fiorentini S.p.A.  
via E.Fermi 8/10  
I-36057 Arcugnano (VI) Italy  
Tel: +39 0444 968.511  
Fax: +39 0444 960.468  
[www.fiorentini.com](http://www.fiorentini.com)

Direct Acting Pressure Regulator

# Norval



Standard Version



SN Slam-Shut Version



Norval Pressure Regulators in action

