



WSH

Woltman meter
for hot water up to 180°C / 200°C
DN 50, 65, 80, 100

Our strength : Your benefit

- Robust, high grade wear resistant materials:
Excellent measuring stability and reliability
- Removable measuring insert:
Retrofittability and replaceability guaranteed

Application

- For special applications in district heating or power plants

Features

- Horizontal installation position
- Straight flow section 3xDN
- Maximum operating pressure PN 16 bar / PN 40 bar
- Temperature up to 180°C / 200°C
- No influence by external magnetic fields
- Standard pulser register with ports for two Reed-RD-Pulsers and one Opto-OD-Pulser

Options

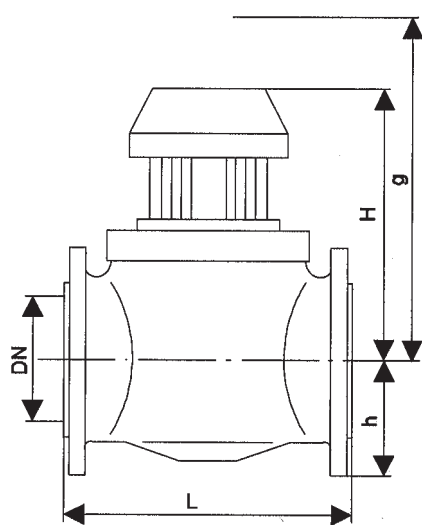
- US Gallon register

Technical Data

Nominal diameter	DN	mm	50	50	65	65	80	80	100	100
Operating pressure	PN	bar	16	40	16	40	16	40	16	40
Nominal flow rate	Q _n	m ³ /h	15	15	25	25	40	40	60	60
Overload flow rate (1x24h)	Q _{max}	m ³ /h	25	25	50	50	70	70	100	100
Transitional flow rate ± 2%	Q _t	m ³ /h	2,25	2,25	3,75	3,75	6	6	9	9
Minimum flow rate ± 5%	Q _{min}	m ³ /h	0,7	0,7	1,1	1,1	1,6	1,6	2,4	2,4
Starting flow		app. m ³ /h	0,25	0,25	0,35	0,35	0,25	0,25	0,4	0,4
Temperature		max. °C	180	200	180	200	180	200	180	200

Dimensions and weights										
Length	L	mm	270	270	300	300	300	300	360	360
Height	H	mm	195	195	205	205	205	205	235	235
Height	h	mm	80	80	100	100	100	100	110	110
Dismantling height of measuring unit	g	mm	325	325	345	345	345	345	385	385
Width	B	mm	170	170	200	200	200	200	260	260
Meter weight		app. kg	13,7	19,7	17,7	25,4	19,7	27,6	32,7	52,7
Measuring unit weight		app. kg	2,7	4,2	2,7	4,4	2,7	4,4	7,7	13,2
Body weight		app. kg	11	15,5	15	21	17	23,2	25	39,5

Dimension Diagram

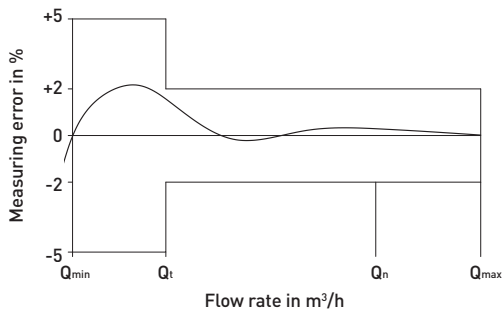


Materials

Body 180°C, PN 16:
Body 200°C, PN 40:

Cast iron
Cast steel

Measuring error curve



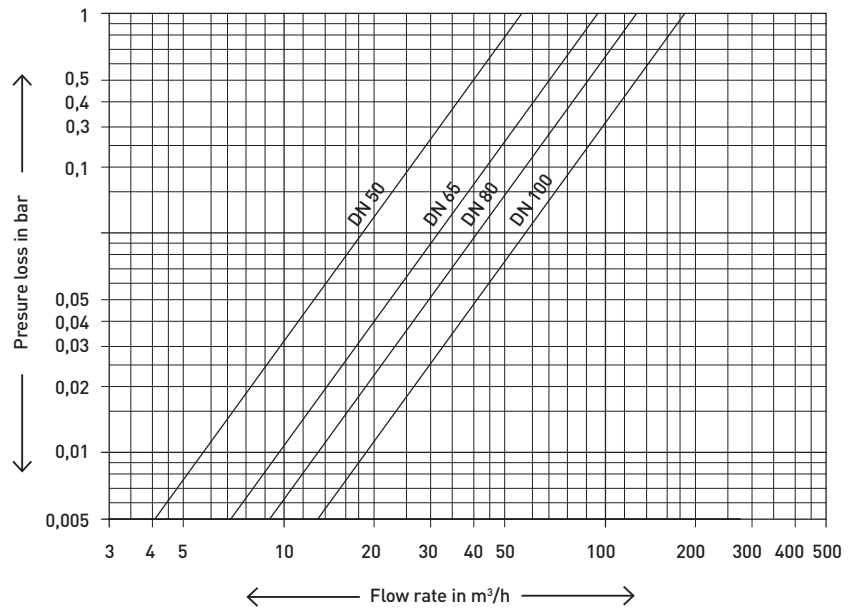
Installation

Pipeline:	horizontal	—
Meter head:	upwards	↑

Installation requirements

3xDN straight pipe upstream of the meter. No abrupt restrictions directly downstream of the meter.

Typical Head Loss Curve



Pulse value table

Pulse generator	DN50...100 m³
K02	0,25 and 0,1 0,25 and 0,025
K06, K10	0,001
K05, K09	0,01

DBe20401 – 10.07.2010
Subject to modification

GWF MessSysteme AG
Obergrundstrasse 119, 6002 Lucerne
Switzerland

T +41 (0)41 319 50 50
F +41 (0)41 310 60 87
info@gwf.ch, www.gwf.ch

swiss.smart.simple.

GWF