



G92 Series BASOTROL® Automatic Pilot Gas Valve

The G92 Series BASOTROL gas valve combines the automatic pilot valve and automatic main valve functions in one valve. Typical applications include central heating units, unit heaters, commercial clothes dryers and similar applications. Bipolar magnetic operator construction provides dependable operation and long life.



**Figure 1: G92 Automatic Gas Valve
(Shown with Optional B Valve)**

Features and Benefits	
<input type="checkbox"/> Bipolar Magnetic Operator Construction	Provides dependable operation and long life
<input type="checkbox"/> Numerous Magnetic Operator Cover Styles Available	Allows various mounting options and connection choices to best suit your requirements
<input type="checkbox"/> Compact Design	Permits installation in dimensionally restricted applications
<input type="checkbox"/> Selectable Pilot Tap Positions	Provides application flexibility

Application

The G92 valves can be used with natural gas, Liquefied Petroleum (LP) gas or LP gas-air mixtures, at pressures up to 0.5 psi (35 mbar). The G92 is suitable for operation over a temperature range of -30 to 175°F (-34 to 79°C). Models with a rotor B valve are suitable for operation over a temperature range of 32 to 175°F (0 to 79°C).

Note: This unit should be used only in applications that are within the limitations and provisions of the applicable American National and/or Underwriters Laboratories® (UL) standards.

Description

The G92 valves are 100% shutoff valves. They are supplied with a standard magnetic operator. Bipolar magnetic operator construction reduces the possibility of the valves' sticking in the open position from residual magnetism or from mechanical interference.

Valve Constructions

The G92 Series is available with 1/2 x 1/2 in. or 1/2 x 3/4 in. body connections with a 25, 120 or 240 VAC 2-wire magnetic operator. Some models are also available with a 12 VDC or 208/240 VAC operator. Refer to the *Ordering Information* section for more information.

Additionally, the G92 Series is available with other optional configurations.

Pressure Connection

The G92 valve is available with 1/8-27 NPT pressure taps when required. Contact BASO Gas Products for details and ordering.

Magnetic Operator Cover Styles

An aluminum magnetic operator cover with conduit hub and 30 in. (762 mm), 18 AWG stranded lead wires are supplied as standard on all line voltage models. The leads and hub position may be located at the top, over the outlet, on the right side or on the left side of the valve. Lead wires with 1/4 in. (6.35 mm) quick-connect terminals are also available.

The UL listed steel operator cover is available with a top conduit hub only.

A plastic magnetic operator cover with 1/4 in. (6.35 mm) quick-connect male terminals is supplied as standard on all voltage models.

Contact BASO Gas Products for details and ordering of magnetic operator cover style and wiring requirements.

Pilot Gas

External or internal pilot gas flow is available (contact BASO Gas Products).

Rotor B Valve

Figure 5 illustrates a typical installation showing a rotor B valve.

A rotor B valve (for pilot flame) with pilot flow adjuster is available. Various outlet positions are available.

Contact BASO Gas Products for details and ordering.

Pilot Tap Options

Right- or left-hand pilot tap options take advantage of space or access limitations.

Mounting

G92 valves may be mounted on a horizontal manifold with the magnetic operator pointed up (vertical) or in a position not exceeding 90° from vertical. They may also be mounted on a vertical manifold in any position around its axis (see Figure 2).

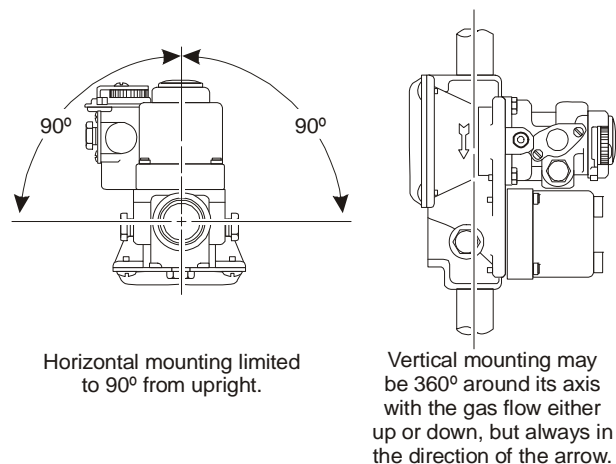


Figure 2: Mounting Positions

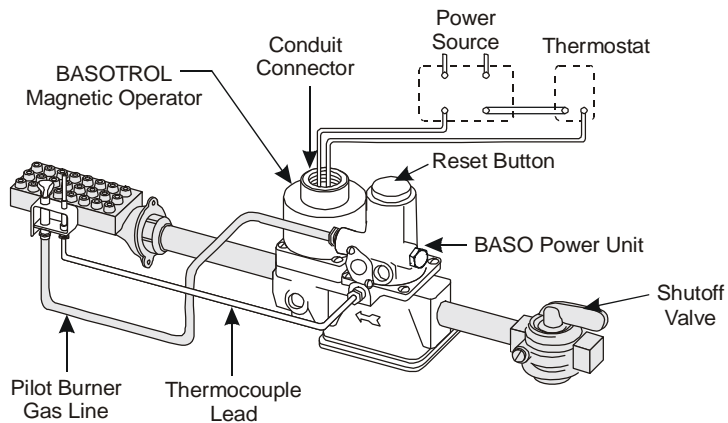


Figure 3: Typical Installation for Internal Pilot Gas Flow

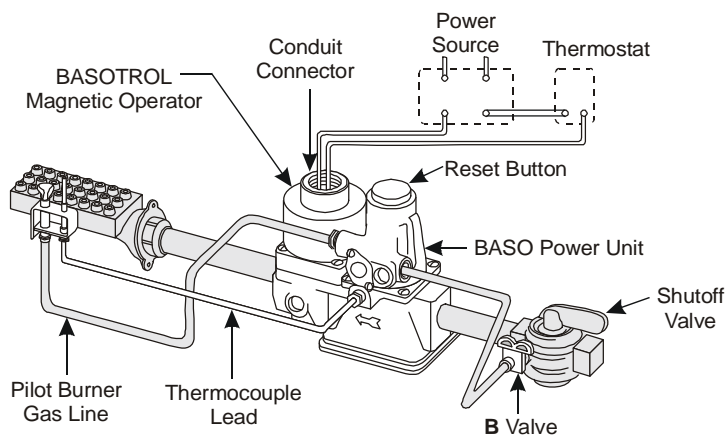


Figure 4: Typical Installation for External Pilot Gas Flow

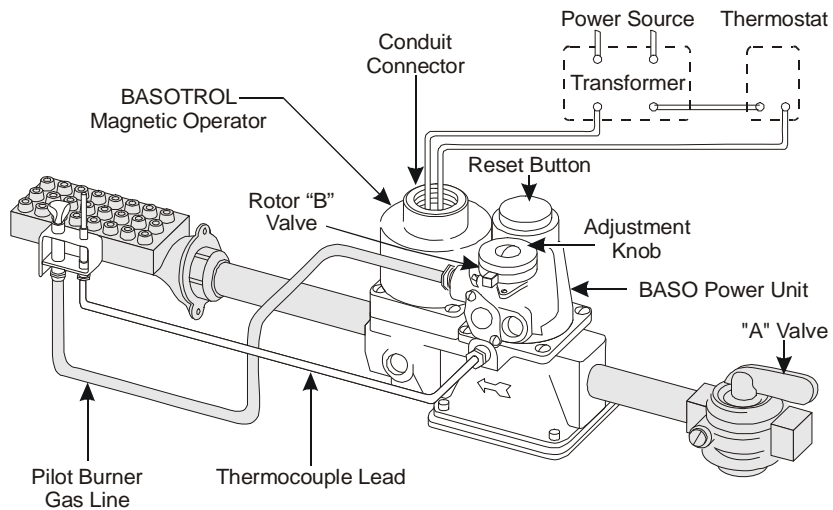


Figure 5: Typical Installation Showing Internal Pilot Gas Flow and Rotor B Valve

Dimensions

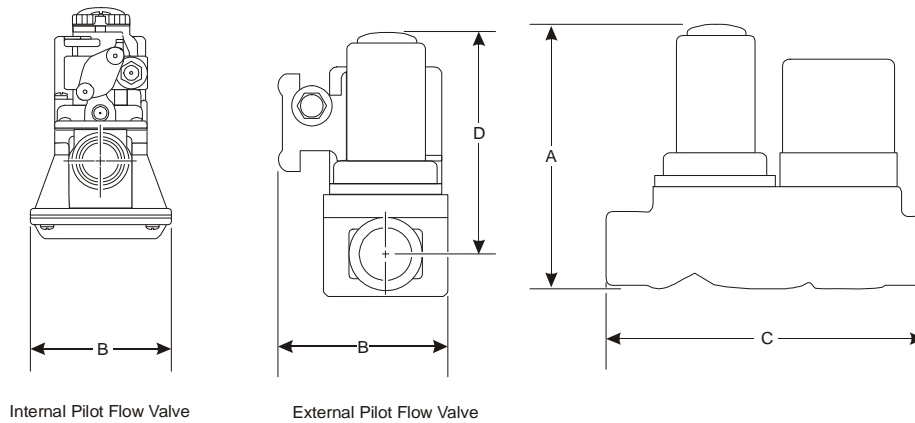
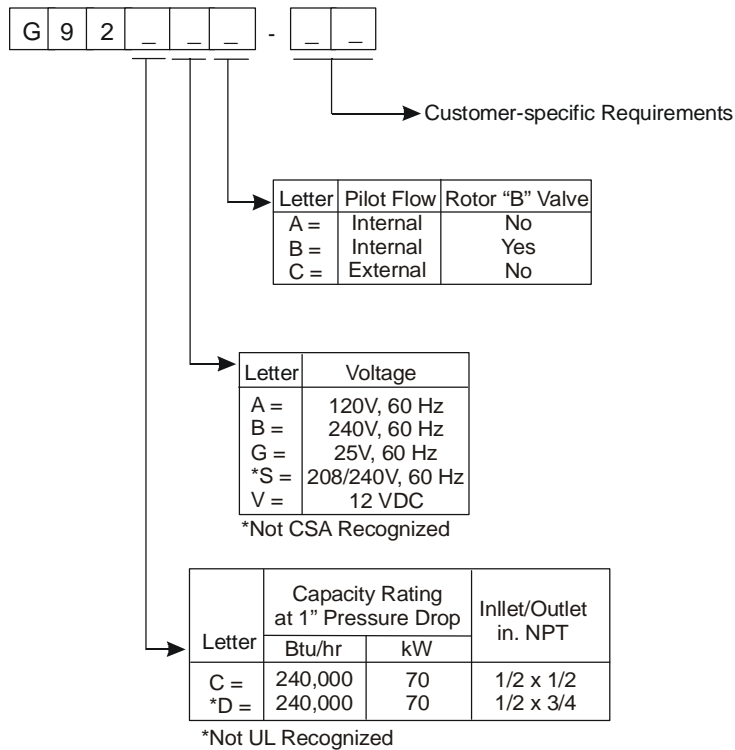


Figure 6: Dimensions

Table 1: Dimensions

Series Number	A Height		B width		C Length		D Height	
	in.	mm	in.	mm	in.	mm	in.	mm
G92 with Internal Pilot Flow	4.47	112	2.66	67	4.23	106	3.19	80
G92 with External Pilot Flow	4.47	112	3.20	80	4.23	106	3.19	80

Ordering Information



The presence of a particular construction in this information does not guarantee its availability. Consult BASO Gas Products for available constructions.

Figure 7: Ordering Matrix

Technical Specifications

Product	G92 Series BASOTROL Automatic Pilot Gas Valve
Maximum Operating Pressure	0.5 psi (35 mbar)
Valve Body	Aluminum
Permissible Ambient (Surface) Temperature	G92_ _ A and G92_ _ C models without rotor valve CSA: -30 to 175°F (-34 to 79°C) UL: -30 to 125°F (-34 to 52°C) G92_ _ B models with rotor valve CSA: 32 to 175°F (0 to 79°C) UL: 32 to 125°F (0 to 52°C)
Available Magnetic Operator Cover Styles	Aluminum side conduit hub Aluminum top conduit hub Aluminum top without conduit hub Aluminum side outlet with eyelet Steel top conduit hub Plastic with 1/4 in. (6.35 mm) male quick-connect terminals
Electrical Rating	25 VAC, 60 Hz, 0.3 ampere draw 120 VAC, 60 Hz, 0.05 ampere draw 240 VAC, 60 Hz, 0.03 ampere draw 208/240 VAC, 60 Hz, 0.037 ampere draw (UL only) 12 VDC, 0.5 ampere draw (CSA only)
Recommended Thermocouple Lead Lengths	K15: 12 to 48 in. (305 to 1,220 mm) K16: 12 to 72 in. (305 to 1,830 mm) K19: 18 to 72 in. (457 to 1,830 mm)
Inlet Body Connection	1/2 in. NPT
Outlet Body Connection	1/2 or 3/4 in. NPT
Types of Gas	Natural, Liquefied Petroleum (LP) or LP gas-air mixtures
Packaging	Bulk pack supplied to original equipment manufacturer (individual pack optional)
Bulk Pack Quantity	32
Bulk Pack Weight	48 lb (22 kg)
Agency Listing	CSA Certificate Number 229521-1656050 (excludes G92CS_) UL File Number MH2926 (excludes G92CV_ and G92D_ _)
Specification Standards	ANSI Z21.78, CSA 6.20 UL Standard 372 and 429

Performance specifications are nominal and conform to acceptable industry standards. All agency certification of BASO products is performed under dry and controlled indoor environmental conditions. Use of BASO products beyond these conditions is not recommended and may void the warranty. Product must be protected if exposed to water (dripping, spraying, rain, etc.) or other harsh environments. The original equipment manufacturer or end user is responsible for the correct application of BASO products. Consult BASO Gas Products LLC for questionable applications. BASO Gas Products LLC shall not be liable for damages or product malfunctions resulting from misapplication or misuse of its products.

Refer to the *G92 Series BASOTROL Automatic Pilot Gas Valve Installation Instructions (Part No. BASO-INS-G92)* for necessary information on the installation, use, and servicing of this product.



BASO Gas Products LLC

1007 South 12th Street
 PO Box 170
 Watertown, WI 53094
 1-877-227-6427 (1-877-BASOGAS)

www.baso.com
 Published in U.S.A.